

THINKCAR VENU 5

Tire Pressure Sensor

Quick Start Guide

CAUTION: Before operating or servicing the sensor, read these instructions carefully, paying particular attention to the safety warnings and precautions. Proper and careful use of the sensor may result in damage and/or personal injury and will void the warranty.



safety net

Please read the precautions and installation instructions carefully before installing the sensor. For reasons of safety and optimal operation, we recommend that all servicing and maintenance work be carried out only by trained professionals. The TPMS (Tire Pressure Monitoring System) sensor is a safety component of the vehicle and is intended for professional installation only. Improper installation may result in damage to the TPMS sensor. Star Card assumes no responsibility for damage to equipment, financial loss or injury or death caused by improper operation.



caveat



When removing or mounting vehicle tires, follow the tire changer manufacturer's instructions exactly.



Do not use a vehicle equipped with this sensor for racing. Keep the speed of vehicles equipped with this sensor below 240km/h at all times.



To ensure optimum performance, do not install accessories from other manufacturers and brands of tire pressure sensors on StarCard Tire Pressure Sensors.



Prior to installation make sure to use the StarCard Tire Pressure Specific Test Equipment to program the StarCard sensors by selecting a specific trim level, model year and year.



Do not install a programmed StarCard sensor in a damaged wheel.

- ✓ After completing the installation, test the vehicle's TPMS system by following the steps described in the original manufacturer's user guide to confirm proper installation.

Sensor Components

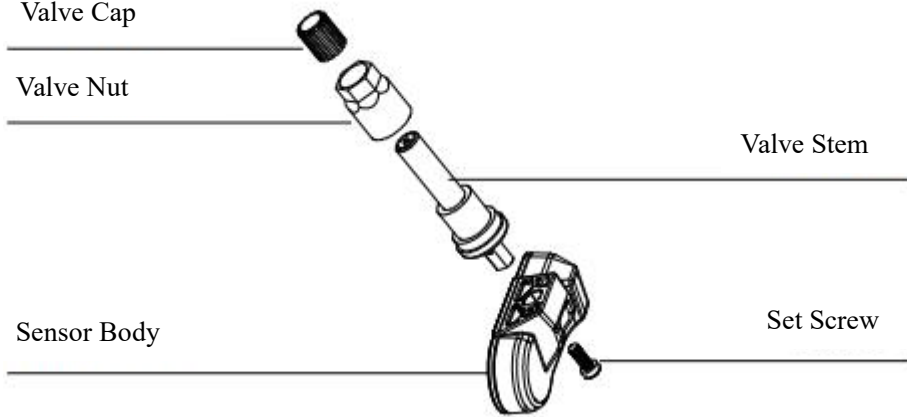
Valve Cap

Valve Nut

Valve Stem

Sensor Body

Set Screw



Technical Parameters

Weight: $\pm 30\text{g}$
Operating Frequency: 433MHz/315MHz
Dimension (L*W*H): $\pm 71.78*42*27.34\text{mm}$
Waterproof rating: IP67

NOTE: When replacing or repairing a Starcar Tire Pressure Sensor, to ensure a good seal, be sure to replace the stem, nut and valve cap with our parts.

In case of external damage, the sensor must be replaced. Correct sensor nut torque: 4N.m.

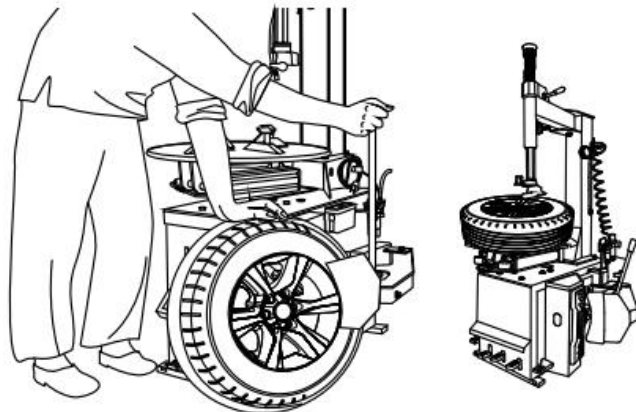
Installation guide

1. Loosen the tire

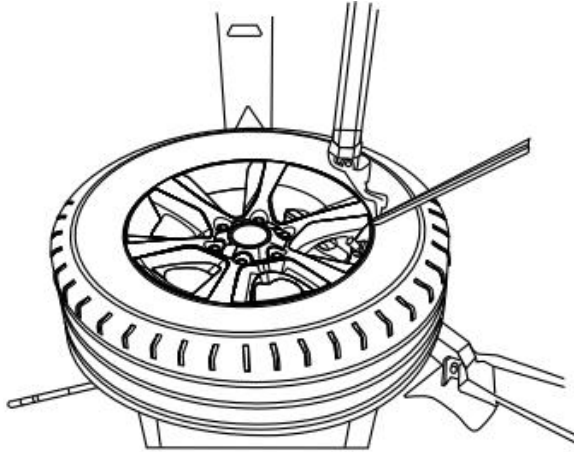
Remove the valve cap and valve nut and deflate the tire.

Use an air pressure trowel to peel the rubber outer tire off the rim.

⚠ Note: Make sure that the valve tip faces the air pressure scoop at an angle of 180°.



2. Remove the tire.



Clamp the tire onto the tire changer, adjust the valve to the 1 o'clock position relative to the tire separation head, insert the tire tool and lift the tire bead onto the mounting head to remove the bead.

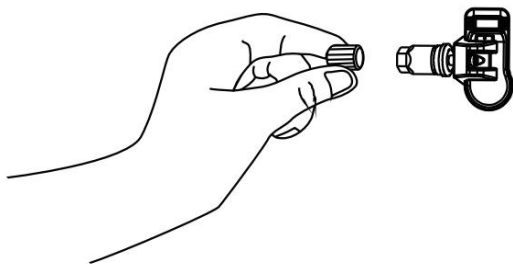
⚠ Note: This starting position must be observed during the entire disassembly process.

3. Removing Sensors



Remove the valve tip cap and nut from the stem, then remove the sensor assembly from the rim.

4. Installation of sensors and valve tips



Step 1. Remove the valve caps and nuts from the valve stems one by one.

Step 2. Make sure the sensor is located on the inside of the rim, then put the valve stem through the valve hole and install the nut back on the valve stem. Tighten the nut with a torque of 4 N.m. and then install the valve cap back onto the valve stem.

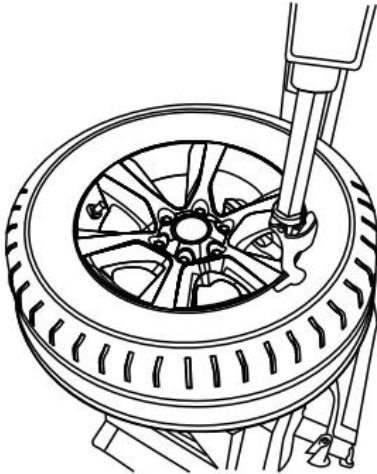
⚠ Note: Both the nut and valve cap should be located on the outside of the rim.



5. Mounting the tire

Mount the tire on the rim by placing the tire on the rim, making sure that the valve faces the breakaway head at an angle of 180°.

⚠️ NOTE: Please follow the tire changer manufacturer's instructions strictly for mounting the tire to the rim.



Warranty

StarCard warrants the sensor free of charge against any material or manufacturing defect for a period of 24 months or 50,000 kilometers, whichever comes first. During the warranty period, StarCard will replace any item at its sole discretion. The warranty will be void if any of the following occurs.

1. Improper installation and misuse of the product
2. Defective low-frequency induction of non-Star Card products
3. Damage caused by collision or tire failure
4. Damage caused by exceeding specific pressure/speed limits

FCC Statement

Changes or modifications not expressly approved by the party responsible for compliance could void the user's authority to operate the equipment.

This equipment has been tested and found to comply with the limits for a Class B digital device, pursuant to Part 15 of the FCC Rules. These limits are designed to provide reasonable protection against harmful interference in a residential installation. This equipment generates uses and can radiate radio frequency energy and, if not installed and used in accordance with the instructions, may cause harmful interference to radio communications. However, there is no guarantee that interference will not occur in a particular installation. If this equipment does cause harmful interference to radio or television reception, which can be determined by turning the equipment off and on, the user is encouraged to try to correct the interference by one or more of the following measures:

- Reorient or relocate the receiving antenna.
 - Increase the separation between the equipment and receiver.
 - Connect the equipment into an outlet on a circuit different from that to which the receiver is connected.
 - Consult the dealer or an experienced radio/TV technician for help
- This device complies with part 15 of the FCC rules. Operation is subject to the following two conditions (1) this device may not cause harmful interference, and (2) this device must accept any interference received, including interference that may cause undesired operation.

IC Statement

This device contains licence-exempt transmitter(s)/ receiver(s) that comply with Innovation, Science and Economic Development Canada's licence-exempt RSS(s). Operation is subject to the following two conditions:

- (1) This device may not cause interference; and
- (2) This device must accept any interference, including interference that may cause undesired operation of the device.

The term "IC: " before the certification/registration number only signifies that the Industry Canada technical specifications were met. This product meets the applicable Industry Canada technical specifications.

Cet appareil contient des émetteurs / récepteurs exemptés de licence conformes aux RSS (RSS) d'Innovation, Sciences et Développement économique Canada.

L'exploitation est autorisée aux deux conditions suivantes :

- (1) l'appareil ne doit pas produire de brouillage,
- et (2) l'utilisateur de l'appareil doit accepter tout brouillage radioélectrique subi, même si le brouillage est susceptible d'en compromettre le fonctionnement.